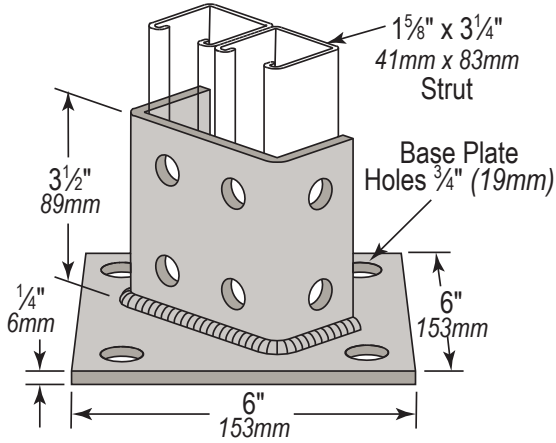


# SUBMITTAL SHEETS

## Post Bases



### Post Base Double Channel 12-Hole Standard



SPECIFYING Brand & Part No.	DISCONTINUED Brands & Part No.	
	W5816	VERSABAR VF9602

Standard Finish: Electro Galvanized (EG) • Hole Diameter:  $\frac{9}{16}$ " (14mm); Hole Spacing - From End:  $\frac{13}{16}$ " (21mm); Hole Spacing - On Center:  $1\frac{7}{8}$ " (48mm); Width:  $1\frac{5}{8}$ " (41mm); Thickness:  $\frac{1}{4}$ " (6mm)

Finish or Material Order Codes			
Material/Finish	ASTM Designation	Material/Finish Codes	Description
Hot Rolled Plate	A 575	See Finishes Below	Steel, sheet and strip, carbon drawing quality, special killed, hot rolled.
Fitting (Steel)	A 366 or A 36	See Finishes Below	Steel carbon, cold rolled sheet, commercial quality structural steel.
Electroplated	ASTM B 633	<b>EG</b>	Fittings and hardware supplied as "Electro-Galvanized"
Hot Dip Galvanized After Fabrication	ASTM A 123, ASTM A153, or ASTM A386.	<b>HG</b>	Channel and fittings which are hot dip galvanized after fabrication.
Paint-Green Powder Coating	--	<b>GR</b>	A dark green low gloss powder coating is applied and thoroughly baked after steel has been cleaned and phosphatized.
Plain	--	<b>PL</b>	Other commercially available finishes can be supplied per specification when required to protect applications.
Special Coatings Yellow Passivate (Trivalent Chromium)	ASTM B63	<b>YC</b>	Fittings and hardware supplied as "Electro-Galvanized", with a "Yellow" Dichromate conversion coat versus the clear conversion coat of the EG finish.
Stainless Steel:	A 240 TYPE 304	<b>S4</b>	Heat resisting chromium and chromium-nickel stainless steel plate, sheet, strip for pressure vessel.
	A 240 TYPE 316	<b>S6</b>	
Aluminum	B 221 TYPE 6063 T6	<b>AL</b>	Aluminum alloy extruded bar, rod, wire, shape and tube.

PROJECT INFORMATION:		APPROVAL STAMP:
<b>Project:</b>		
<b>Date:</b>	<b>Phone:</b>	
<b>Architect / Engineer:</b>		
<b>Contractor:</b>		
<b>Address:</b>		
<b>Notes 1:</b>		

W5816

E08/24 - 62

**WARNING:** Cancer and Reproductive Harm Warning. For more information go to [www.P65Warnings.ca.gov](http://www.P65Warnings.ca.gov).

[www.ZSIINC.com](http://www.ZSIINC.com)

